



US00D927476S

(12) **United States Design Patent**
Markey et al.

(10) **Patent No.:** **US D927,476 S**

(45) **Date of Patent:** **** Aug. 10, 2021**

(54) **EARBUD HOLDER**

amazon.com/ELFRhino-Earphones-Compatible-Anti-Lost-Exercises/
dp/B08999KPG1/ (Year: 2020).*

(Continued)

(71) Applicant: **IntaglioTech, LLC**, Ann Arbor, MI
(US)

Primary Examiner — L. A. Grabenstetter

(72) Inventors: **David V. Markey**, Ann Arbor, MI (US);
Ryan Arthur Kelly, Portchester, NY
(US)

(74) *Attorney, Agent, or Firm* — Fishman Stewart PLLC

(73) Assignee: **Intagliotech, LLC**, Ann Arbor, MI
(US)

(57) **CLAIM**

The ornamental design for an earbud holder, as shown and described.

(**) Term: **15 Years**

DESCRIPTION

(21) Appl. No.: **29/735,677**

FIG. 1 is a front, top, left side perspective view of an earbud holder showing a first embodiment of the design; FIG. 2 is a front, bottom, right side perspective view thereof; FIG. 3 is a front elevational view thereof; FIG. 4 is a rear elevational view thereof; FIG. 5 is a left side view thereof; FIG. 6 is a right side view thereof; FIG. 7 is a top plan view thereof; FIG. 8 is a bottom plan view thereof.

(22) Filed: **May 22, 2020**

Related U.S. Application Data

(63) Continuation-in-part of application No. 29/675,295, filed on Dec. 31, 2018, now Pat. No. Des. 915,387.

FIG. 9 is a front, top, left side perspective view of an earbud holder showing a second embodiment of the design; FIG. 10 is a front elevational view thereof; FIG. 11 is a rear elevational view thereof; FIG. 12 is a right side view thereof; FIG. 13 is a left side view thereof; FIG. 14 is a top plan view thereof; FIG. 15 is a bottom plan view thereof; FIG. 16 is a front, top, left side perspective view of an earbud holder showing a third embodiment of the design; FIG. 17 is a front, bottom, right side perspective view thereof; FIG. 18 is a front elevational view thereof; FIG. 19 is a rear elevational view thereof; FIG. 20 is a left side view thereof; FIG. 21 is a right side view thereof; FIG. 22 is a top plan view thereof; and, FIG. 23 is a bottom plan view thereof.

(51) **LOC (13) Cl.** **14-03**

(52) **U.S. Cl.**

USPC **D14/251**; D14/205; D3/218

(58) **Field of Classification Search**

USPC D3/201, 212, 218, 226, 227, 247, 249,
D3/250, 269, 294, 295, 303; D13/107,

(Continued)

(56) **References Cited**

U.S. PATENT DOCUMENTS

D620,781 S * 8/2010 Weckworth D8/356
D651,791 S * 1/2012 Cataldo D3/218

(Continued)

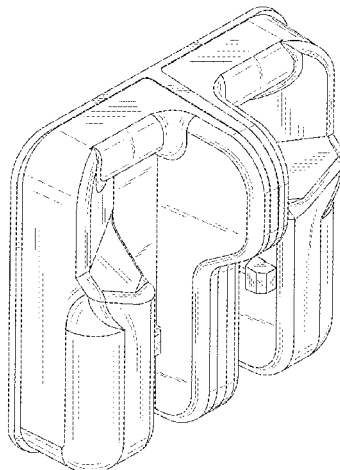
FOREIGN PATENT DOCUMENTS

JP 2012100248 A * 5/2012
JP 2012100248 A 5/2012

OTHER PUBLICATIONS

ELFRhino Watch Band Earphones Holder, publication date May 27, 2020, [online][site visited Mar. 31, 2021] URL: <https://www.>

(Continued)



phone and earbuds represent unclaimed environment that forms no part of the claimed design.

1 Claim, 21 Drawing Sheets

(58) Field of Classification Search

USPC D13/108; D14/137, 138 R, 138 AA, D14/138 C, 138 G, 172, 192, D14/203.3–203.7, 217, 238.1, 247, 248, D14/250–253, 434, 440, 447, 496; D8/356
 CPC .. H04B 1/3888; H04M 1/0283; H04M 1/0202
 See application file for complete search history.

(56) References Cited

U.S. PATENT DOCUMENTS

8,170,623 B2 * 5/2012 Dorogusker H02J 7/342 455/57
 D676,022 S * 2/2013 Stevinson D14/205
 D676,416 S * 2/2013 Stevinson D14/205
 D682,550 S * 5/2013 Chun D3/294
 D682,807 S * 5/2013 Stevinson D14/205
 D685,771 S * 7/2013 Bertenthal D14/223
 8,485,404 B2 * 7/2013 Monaco A45C 11/00 224/66
 D691,636 S * 10/2013 Bunton D14/496
 D697,718 S * 1/2014 Chun D3/319
 8,720,683 B2 * 5/2014 Mao A45C 11/00 206/320
 D706,643 S * 6/2014 Akana D9/721
 8,891,800 B1 * 11/2014 Shaffer H04R 1/1025 381/38
 D720,330 S * 12/2014 Stevinson D14/205
 D720,718 S * 1/2015 Stevinson D14/205
 D726,701 S * 4/2015 Stevinson D14/25
 D730,315 S * 5/2015 Stevinson D14/205
 D732,011 S * 6/2015 Stevinson D14/250
 9,071,902 B1 * 6/2015 Ai H04R 1/1033
 9,148,717 B2 * 9/2015 Shaffer H04R 1/1025
 D744,470 S * 12/2015 Stevinson D14/250
 9,247,035 B1 * 1/2016 Zhang H04M 1/185
 D757,522 S * 5/2016 Kim D8/356
 D796,968 S * 9/2017 Akana D9/721
 9,769,558 B2 * 9/2017 Chandramohan A45C 11/24
 D806,388 S * 1/2018 Akana D3/294
 D807,761 S * 1/2018 Akana D9/721
 D829,551 S * 10/2018 Akana D9/455
 D855,609 S * 8/2019 Jeong D14/250
 2009/0036175 A1 * 2/2009 Brandenburg A45F 5/02 455/575.1
 2011/0170732 A1 * 7/2011 Parker H04R 1/1033 381/384
 2011/0317865 A1 * 12/2011 Stevinson H04R 1/1033 381/384
 2013/0148839 A1 * 6/2013 Stevinson H04R 1/1033 381/38
 2013/0237290 A1 * 9/2013 Simmons, Jr. H04M 1/15 455/56
 2014/0079237 A1 * 3/2014 Cataldo H04R 1/1033 381/74

2014/0105441 A1 * 4/2014 Kroupa H02G 11/02 381/370
 2014/0161301 A1 * 6/2014 Merenda G06F 1/105 381/384
 2015/0157116 A1 * 6/2015 Williams A45F 5/004 224/16
 2015/0365756 A1 * 12/2015 Merenda A45C 15/00 381/375
 2018/0014436 A1 * 1/2018 Milevski H05K 9/0007
 2018/0284841 A1 * 10/2018 Lee H04M 1/04

OTHER PUBLICATIONS

DropBase Case for AirPods, publication date Jan. 8, 2021, [online][site visited Mar. 31, 2021] URL: <https://www.amazon.com/DropBase-Airpods-Protective-Original-Accessory/dp/B08SGB7YQD> (Year: 2021).
 Webpage for Airpod Charging iPhone Case available prior to Dec. 31, 2018 <https://forums.imore.com/airpods/394853-airpod-charging-iphone-case.html>.
 Amazon webpage for UOSOSO AirPods Holder, Silicone Strap case Sport Holder for AirPods (Airpods Holder—Black) available prior to Dec. 31, 2018 <https://www.amazon.com/UOSOSO-Airpods-Silicone-Airpods-Holder-Black/dp/B078WNVVMZ>.
<https://www.trendhunter.com/trends/case-protector>, dated May 10, 2017.
 Alibaba.com webpage for Funny Design Cute Bull Silicon Case with Earphone Holder for iPhone 5 available prior to Dec. 31, 2018 https://www.alibaba.com/product-detail/Funny-design-cute-bull-silicon-case_60010456781.html.
 Ebaby webpage for TurtleCell Retractable Headphone Case for iPhone 6 available prior to Dec. 31, 2018 <https://www.ebay.com/p/TurtleCell-Retractable-Headphone-Case-for-iPhone-6-Retail/3014972716?iid=22282885222&chn=ps>.
 Kickstarter webpage for PodCase—Batter Case for Your iPhone and AirPods available prior to Dec. 31, 2018 <https://www.kickstarter.com/projects/58140323/podcase-battery-case-for-your-iphone-and-airpods?ref=341581&token=6870e46b>.
 Amazon webpage for AirPods Holder Watch Strap Portable Anti-Lost Silicone Carrying Case for Apple AirPods (Black) available prior to Dec. 31, 2018 <https://www.amazon.com/AirPods-Portable-Anti-Lost-Silicone-Carrying/dp/B07CL76N38>.
 The Airbay: iPhone and AirPods Together in One Case, publication Jun. 18, 2017, [online][site visited May 29, 2020] URL: <https://www.kickstarter.com/projects/kalyxdesigns/the-airbay-iphone-and-airpods-together-in-one-case> (Year: 2017).
 The iPhone & AirPod Charger Lets You Power up both Devices at once, publication date Jun. 18, 2019, [online][site visited May 28, 2020] URL: <https://www.bustle.com/p/this-iphone-airpod-charger-lets-you-power-up-both-devices-at-once-18013031> (Year: 2019).
 Ebaby webpage for TurtleCell Retractable Headphone Case for iPhone 6 available prior to Dec. 31, 2018 <https://www.ebay.com/p/TurtleCell-Retractable-Headphone-Case-for-iPhone-6-Retail/3014972716?iid=22282885222&chn=ps>.
 Kickstarter webpage for PodCase—Batter Case for Your iPhone and AirPods available prior to Dec. 31, 2018 <https://www.kickstarter.com/projects/58140323/podcase-battery-case-for-your-iphone-and-airpods?ref=341581&token=6870e46b>.

* cited by examiner

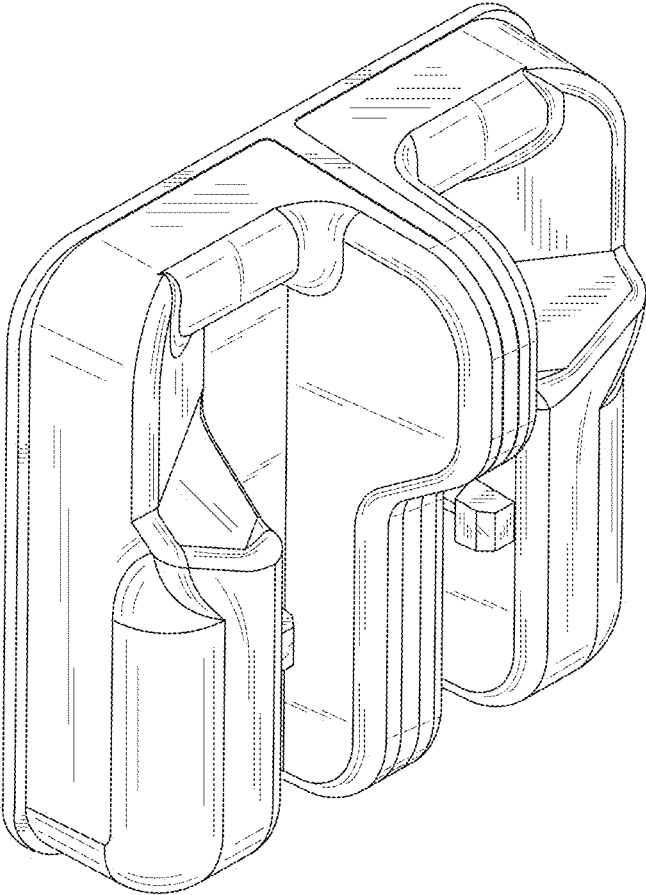


FIG. 1

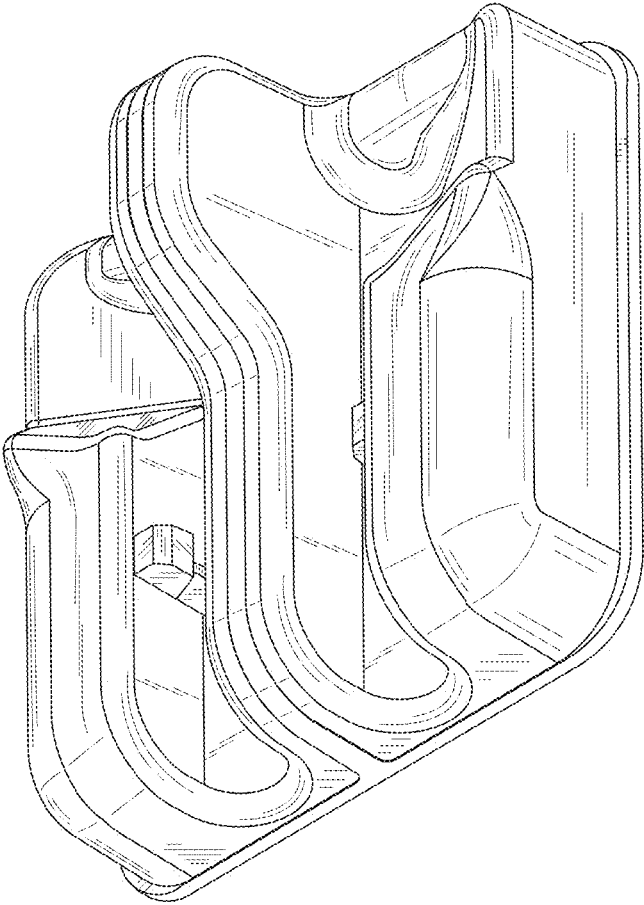


FIG. 2

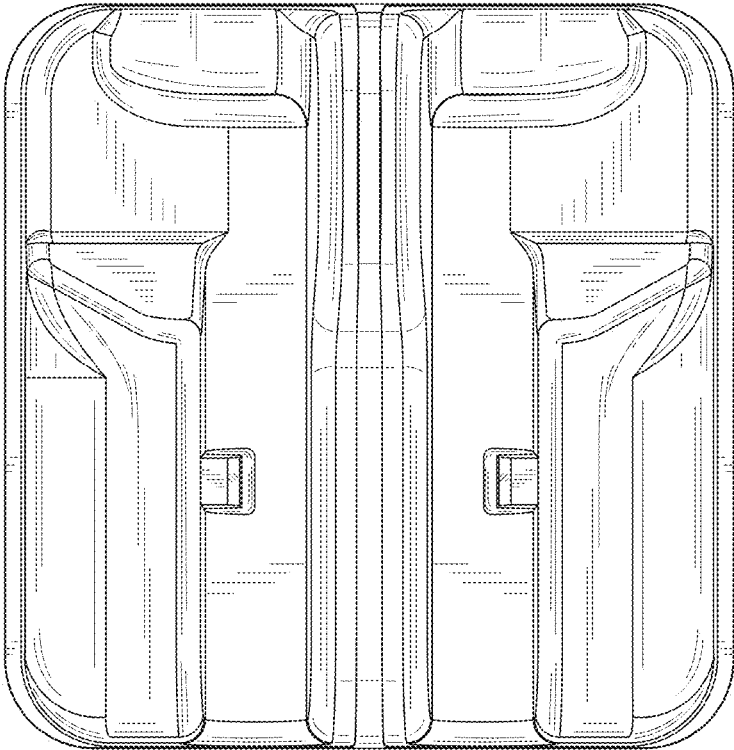


FIG. 3

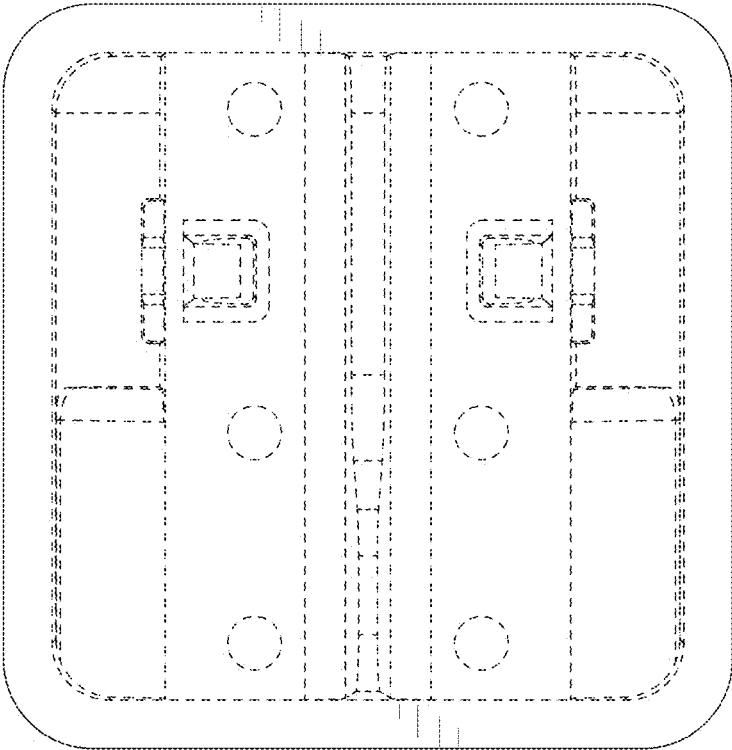


FIG. 4

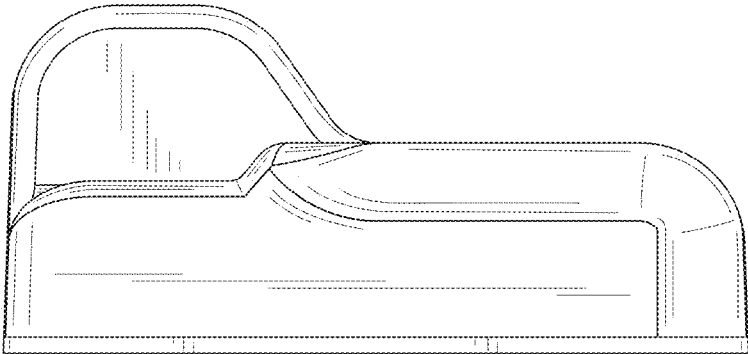


FIG. 5

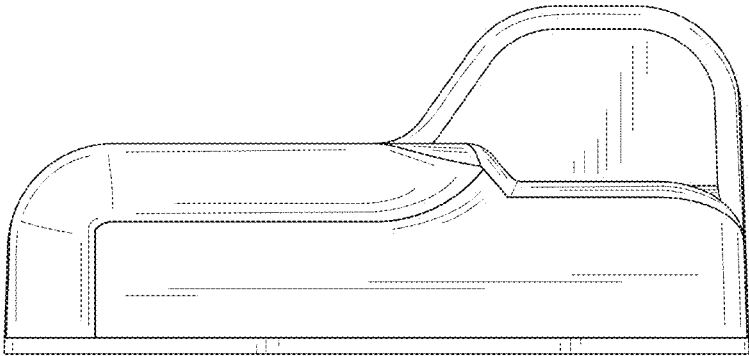


FIG. 6

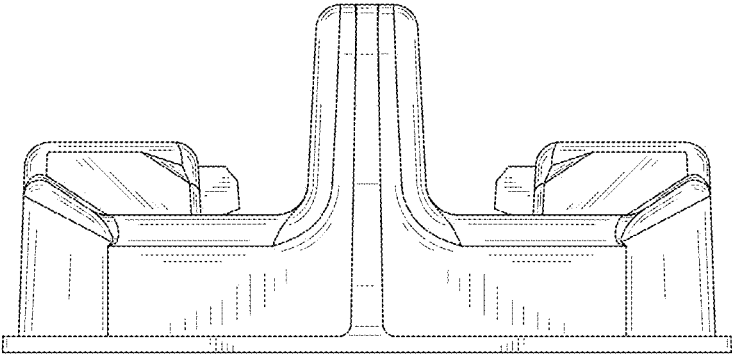


FIG. 7

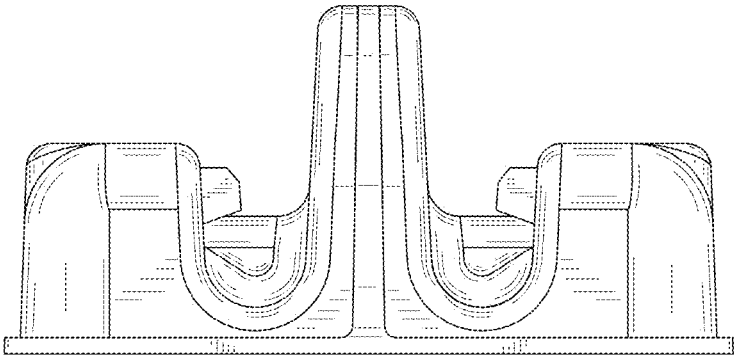


FIG. 8

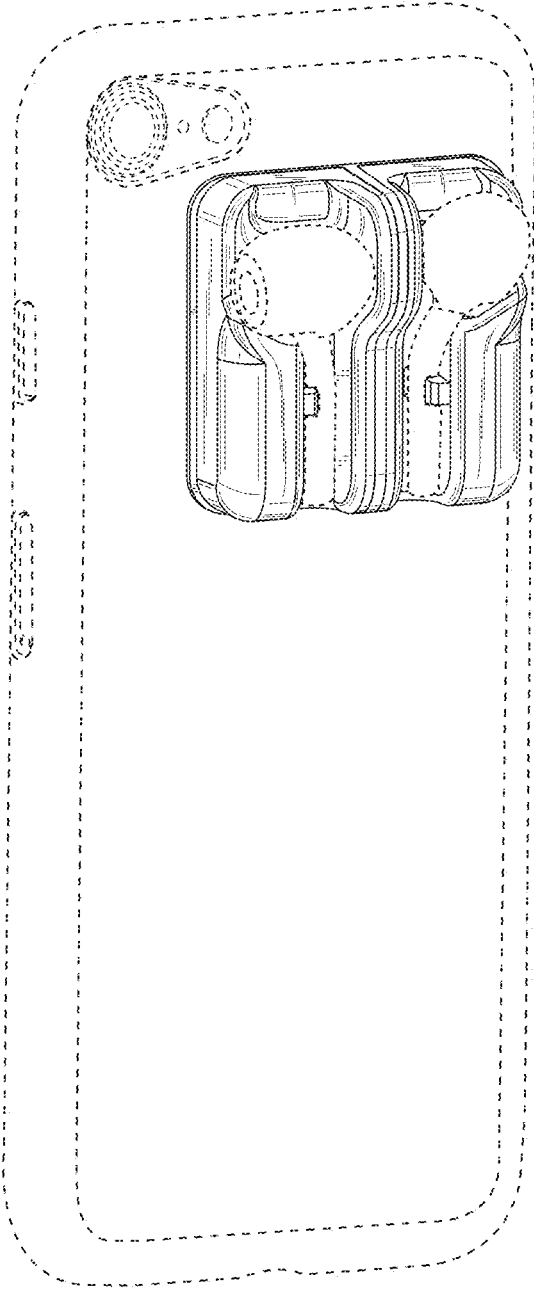


FIG. 9

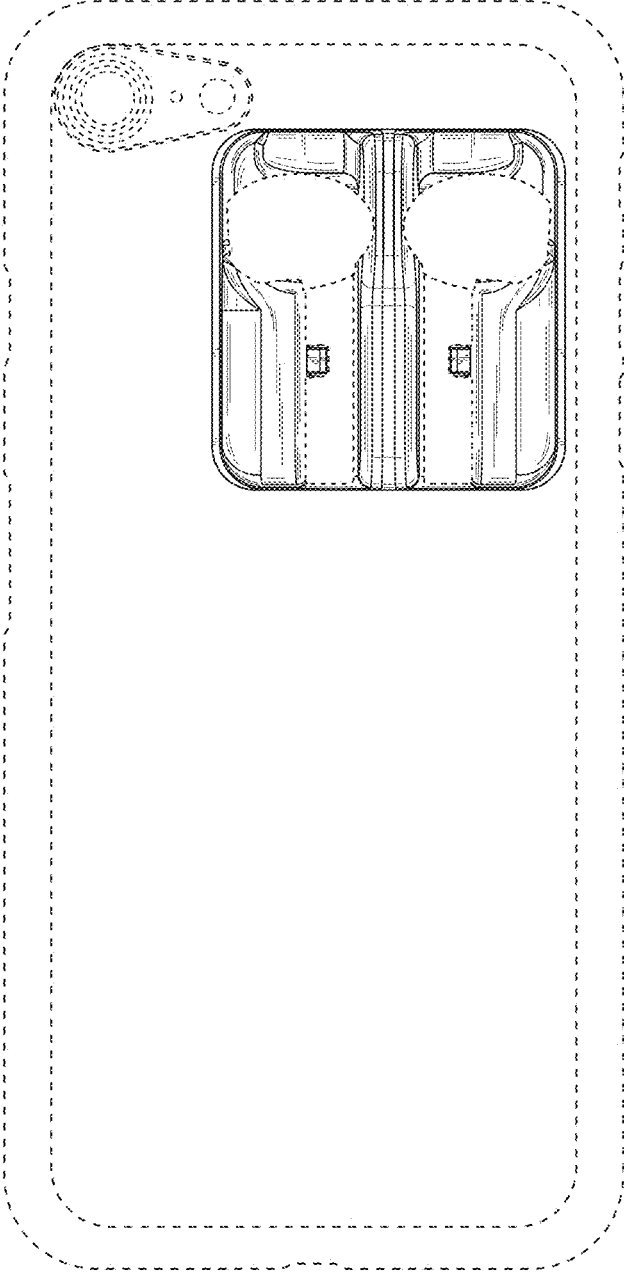


FIG. 10

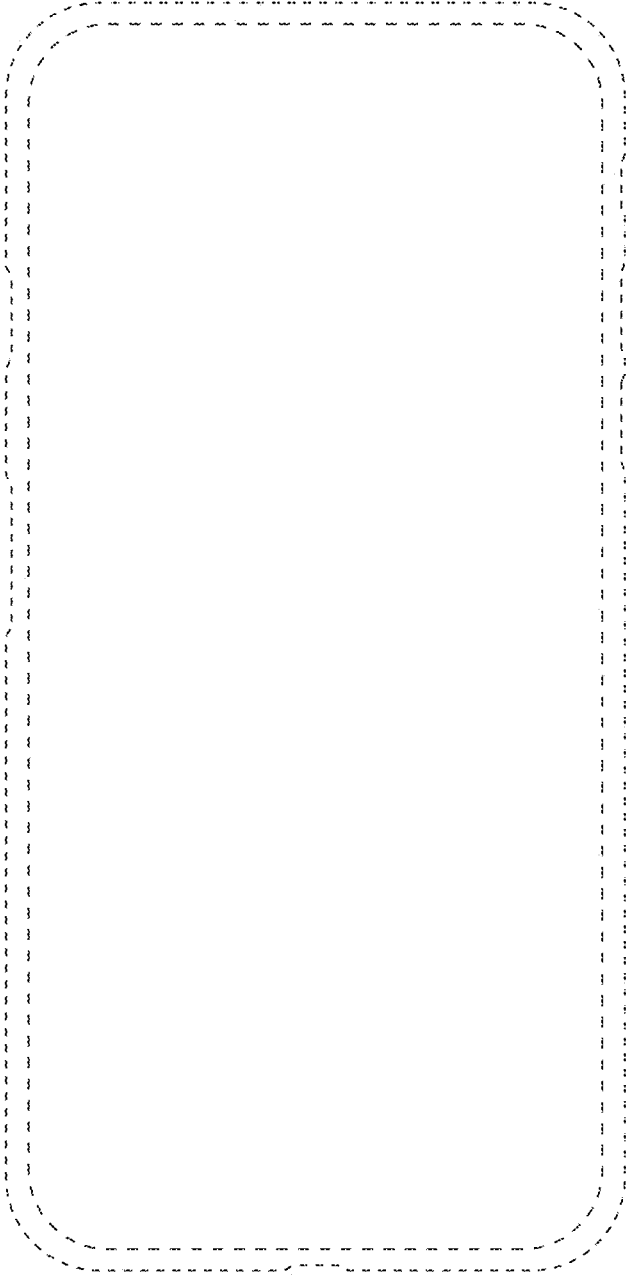


FIG. 11

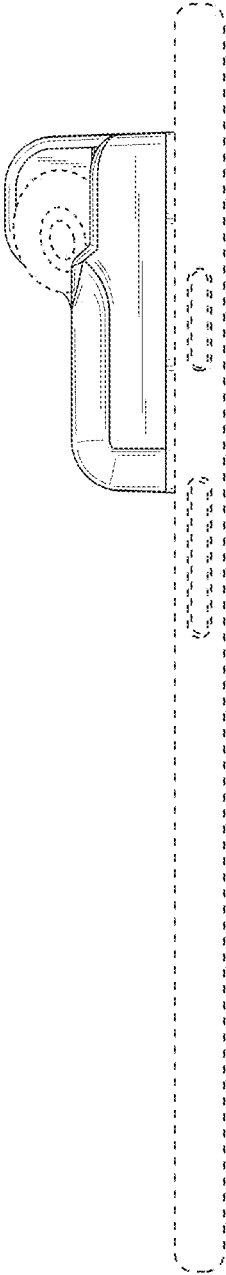


FIG. 12

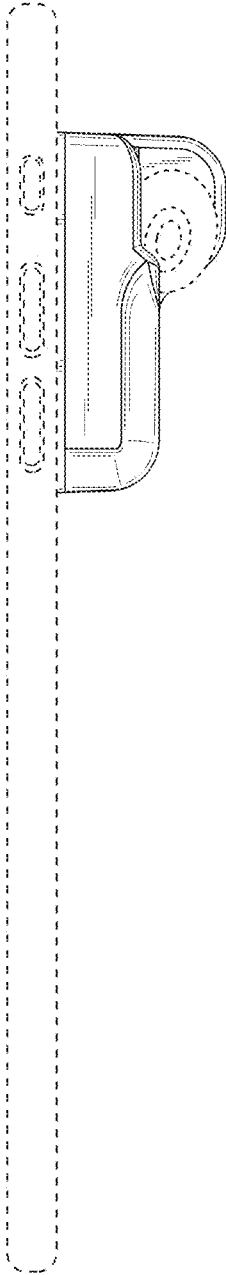


FIG. 13

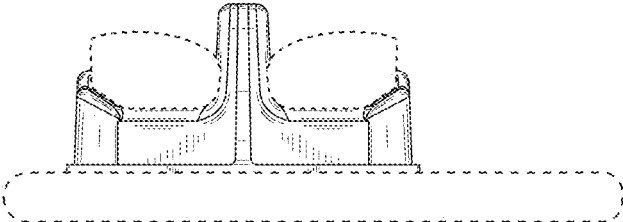


FIG. 14

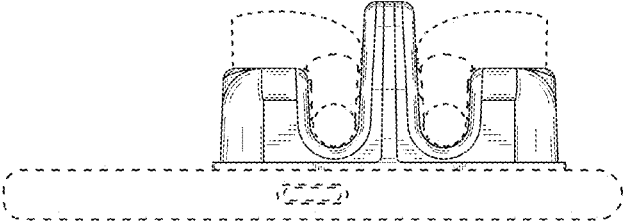


FIG. 15

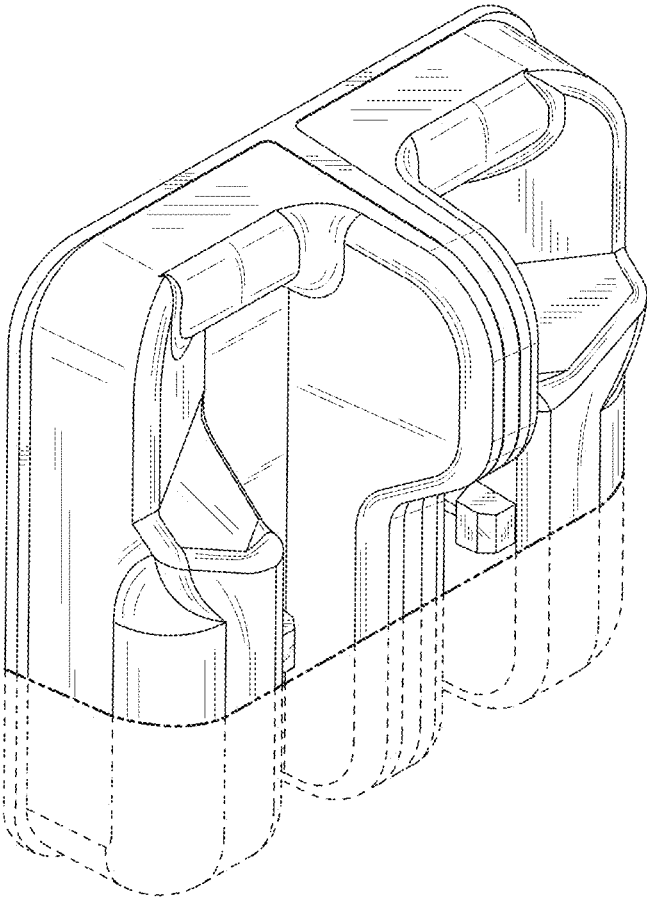


FIG. 16

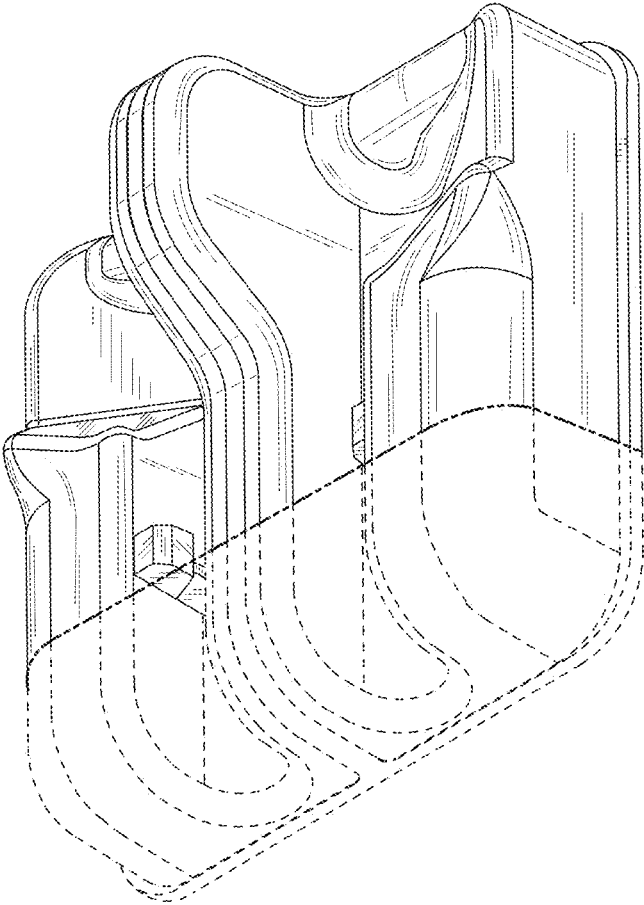


FIG. 17

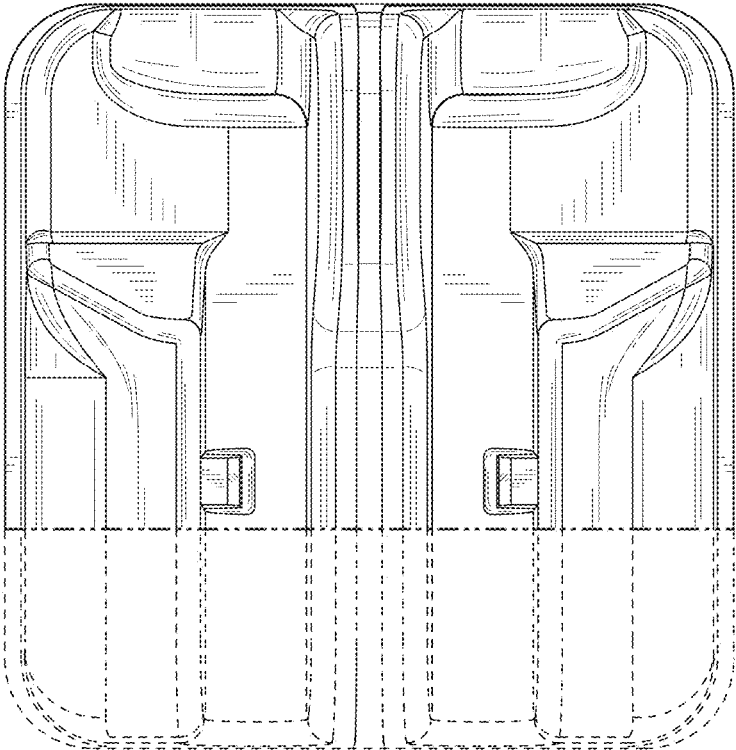


FIG. 18

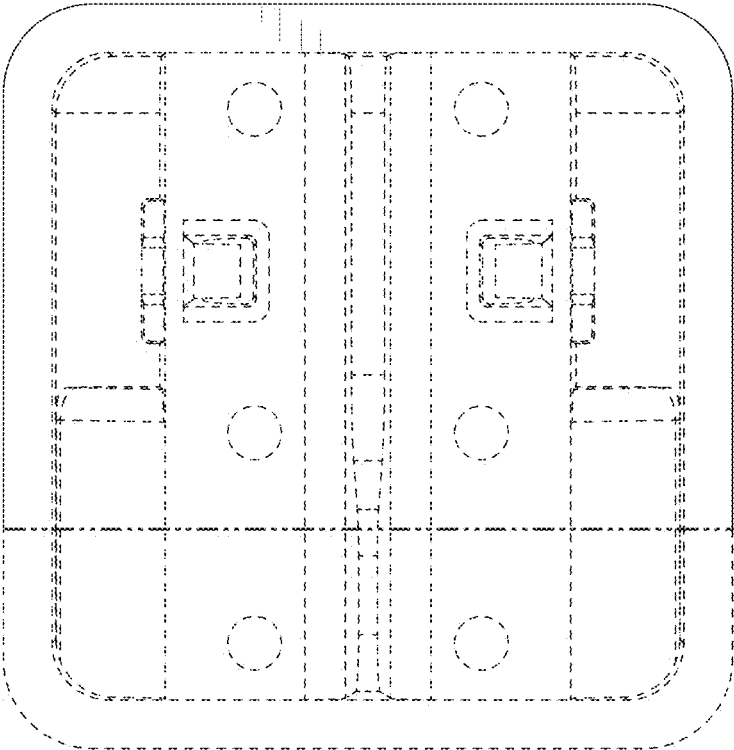


FIG. 19

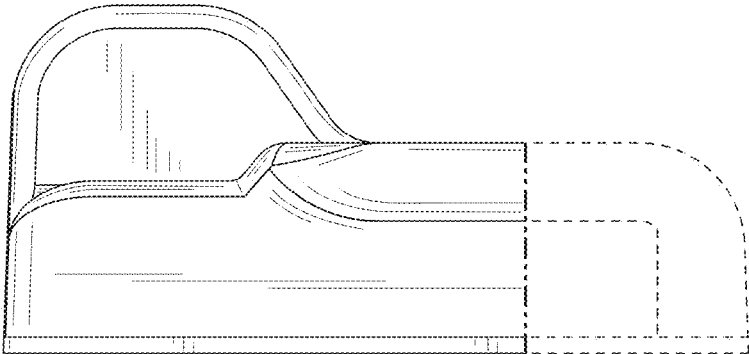


FIG. 20

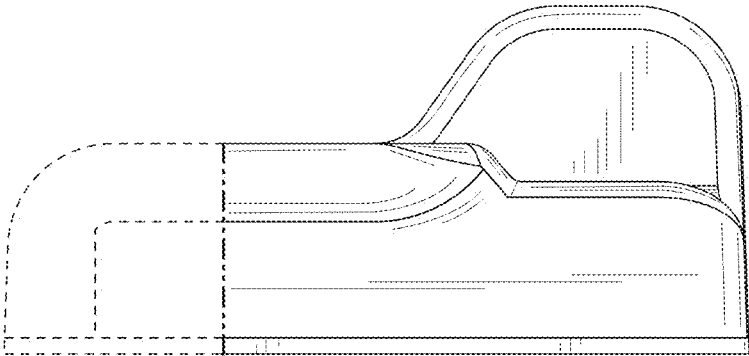


FIG. 21

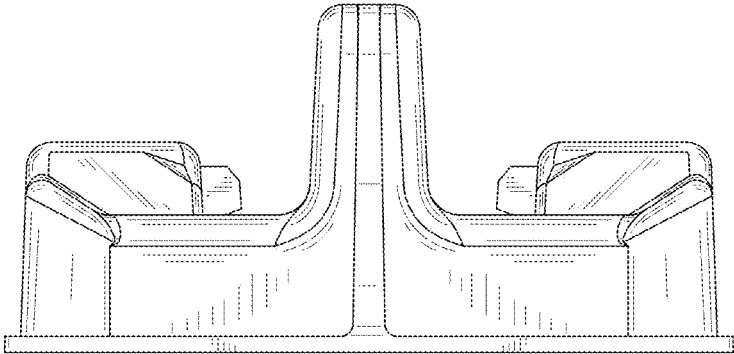


FIG. 22

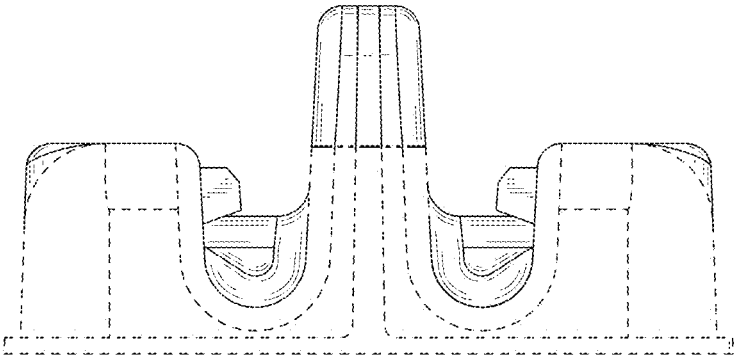


FIG. 23